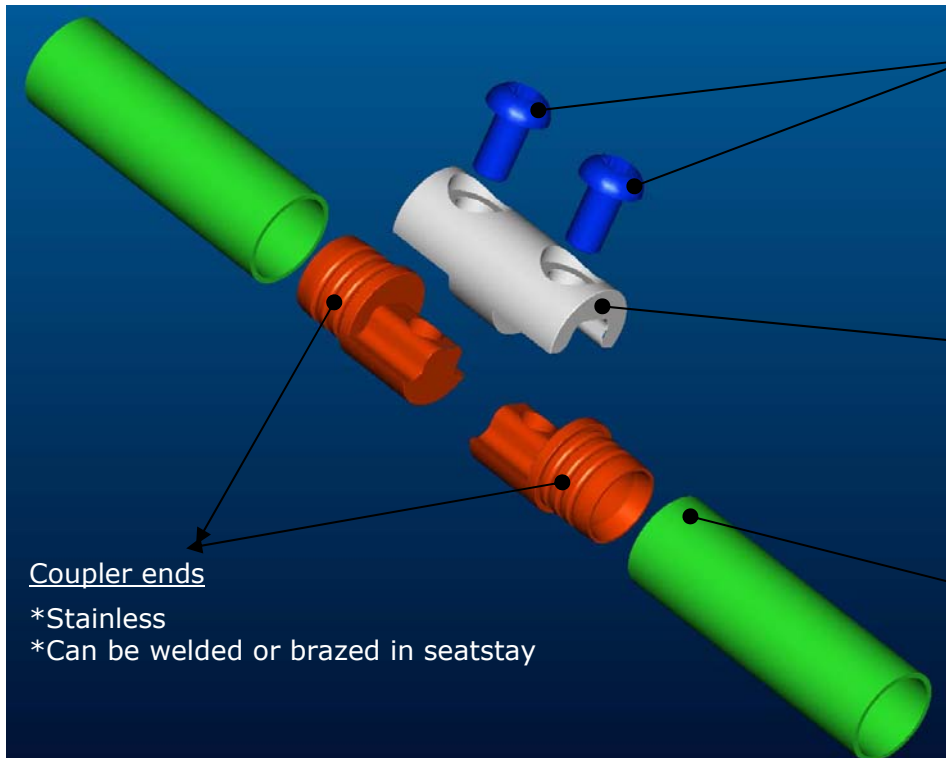


**Technical details and fitting instructions**

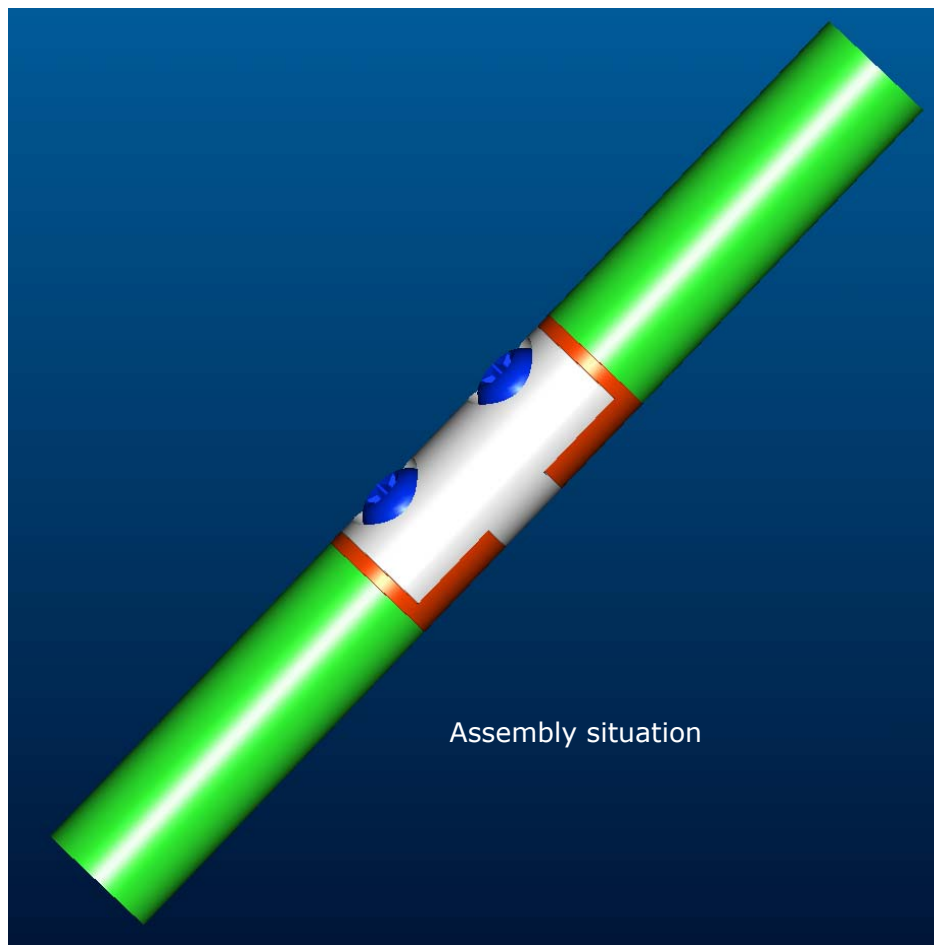


Bolts  
\*M6x0,75  
\*T30  
\*stainless

Coupler inlay  
\*Al6061  
\*silver anodized  
\*can be painted  
in outside area

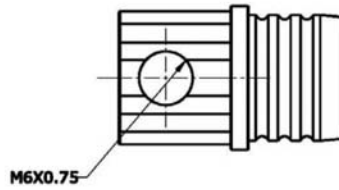
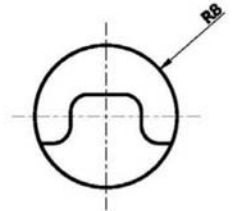
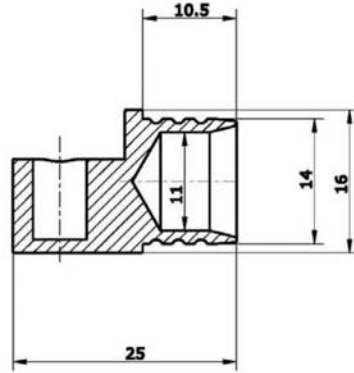
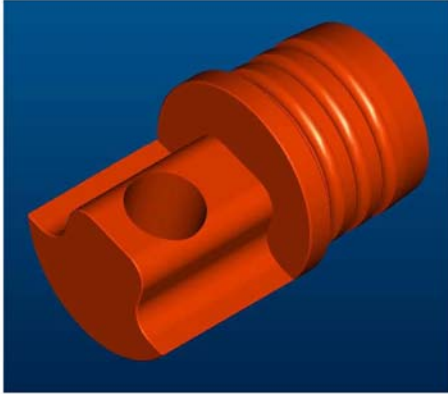
Coupler ends  
\*Stainless  
\*Can be welded or brazed in seatstay

Best fit in 16x0,9  
seatstays

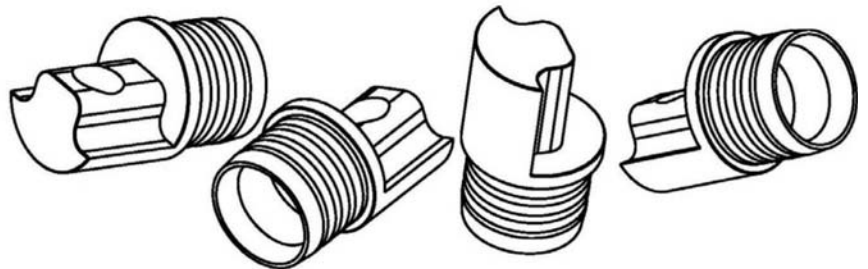


Assembly situation

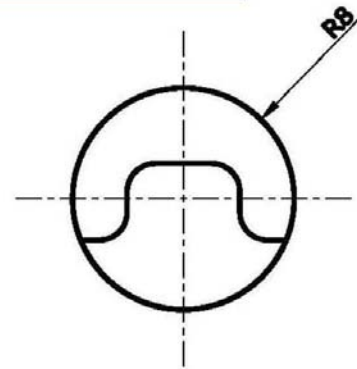
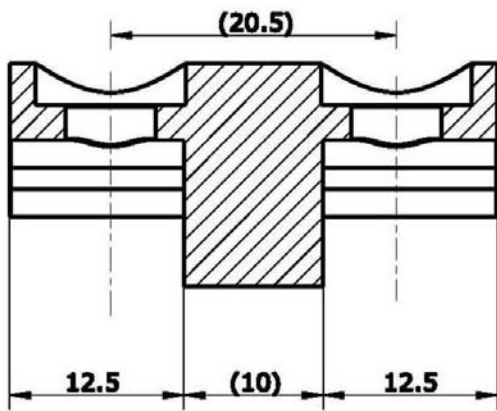
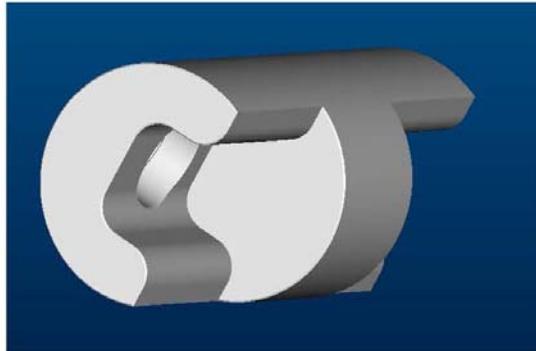
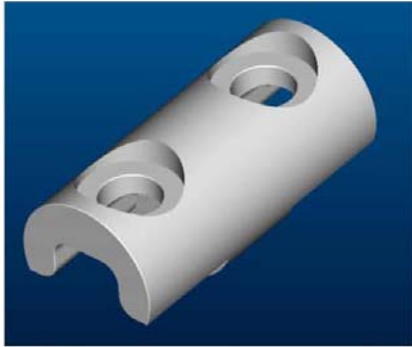
Dimensions coupler end:



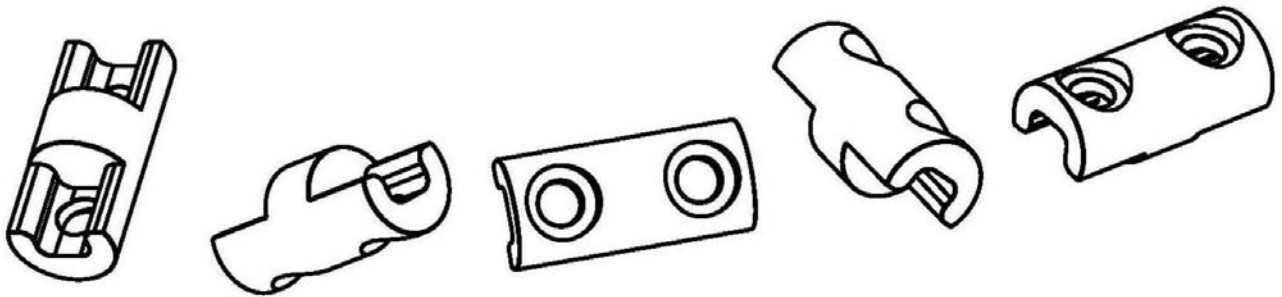
coupler ends:  
stainless steel



Dimensions coupler inlay:



coupler  
inlay: aluminum





Bolt heads **must** show towards **front OR rear** of frame, **never** towards **left OR right** side.





